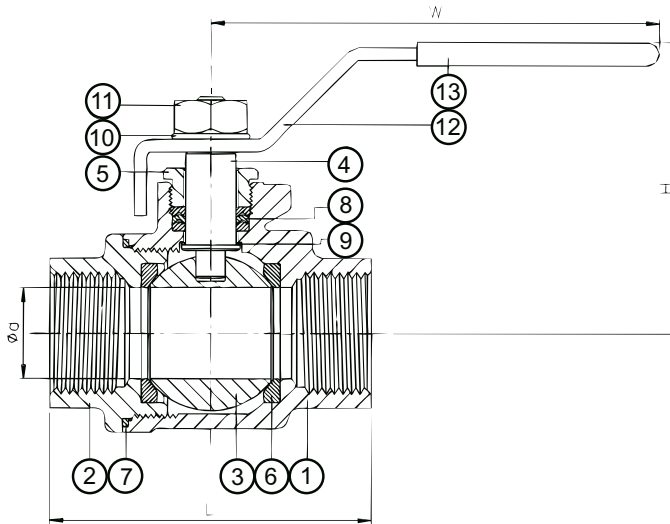
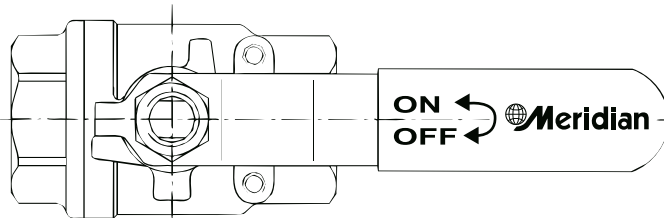


2000 WOG 2-PIECE FULL BORE



FEATURES

- Threaded ends conform to ASME B1.20.1 (NPT)
- Investment casting
- Blow-out proof stem
- 2000 psi (1/4" to 1")
- 1500 psi (1 1/4" to 2")
- 1000 psi (2 1/2" to 3")
- Glassfibre filled PTFE seats
- PTFE seal and packing
- Latch lock handle
- Mounting pad

ITEM	PARTS	MATERIAL
1	BODY	ASTM A351-CF8M
2	END CAP	ASTM A351-CF8M
3	BALL	ASTM A351-CF8M
4	STEM	ASTM A276-316
5	GLAND NUT	AISI 304
6	BALL SEAT	R-PTFE
7	BODY SEAL	PTFE
8	PACKING	PTFE
9	THRUST WASHER	PTFE
10	SPRING WASHER	AISI 304
11	NUT	AISI 304
12	HANDLE	AISI 304
13	HANDLE SLEEVE	PVC

DN	d	L	H	W	Weight KG	Cv
8	11.6	60	50	100	0.26	10
10	12.7	60	50	100	0.28	10
15	15	65	50	100	0.30	12
20	20	78	60	125	0.55	35
25	25	90	70	160	0.84	60
32	32	100	80	160	1.26	100
40	38	120	90	190	2.00	150
50	50	138	90	190	3.13	250
65	65	166	145	250	6.00	400
80	80	195	145	250	10.1	600

NPS	d	L	H	W	Weight LB	Cv
1/4"	0.46	2.36	1.97	3.94	0.57	10
3/8"	0.50	2.36	1.97	3.94	0.62	10
1/2"	0.59	2.56	1.97	3.94	0.66	12
3/4"	0.79	3.07	2.36	4.92	1.21	35
1"	0.98	3.54	2.76	6.30	1.85	60
1-1/4"	1.26	3.94	3.15	6.30	2.78	100
1-1/2"	1.50	4.72	3.54	7.48	4.41	150
2"	1.97	5.43	3.54	7.48	6.90	250
2-1/2"	2.56	6.54	5.71	9.84	13.2	400
3"	3.15	7.68	5.71	9.84	22.3	600

