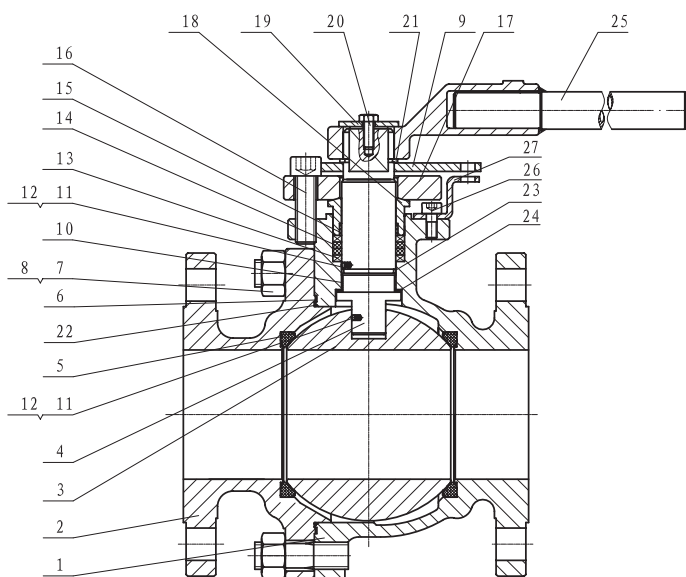


FEATURES & STANDARDS



- Industry leading warranty (48 months*)
- Standard Cast (150 – 600 ASME) and Forged (900 – 1500 ASME).
- Triple independent low emission stem seals
- Two bolt packing gland with graphite packing
- Blow-out proof stem
- AED O-rings (anti-explosive decompression)
- Standard seats** : RPTFE (150 – 300 ASME); Devlon (600 – 1500 ASME)
- Standard seals** : HNBR
- Double anti-static protection
- Low torques with special wide seat design
- General Standards include: API 608, API 6D, ISO 17292, CSA Z245.15-13, CSA B51-09, ASME B16.34
- Sour service: NACE MR0175 & ISO 15156
- Fire safe design (API 607, ISO 10497 & API 6FA)
- Gear operator and lifting lugs – 6" bore and larger
- Standard ISO 5211 mounting pads
- SIL 3 certified (safety integrity level)
- Testing includes high pressure hydro and low pressure air seat tests



MANUFACTURING RANGE

(Available in full and regular port)

Size	150 ASME PN 20	300 ASME PN 50	600 ASME PN 100	900 ASME PN 150	1500 ASME PN 250
1/2"	•	•	•		•
3/4"	•	•	•		•
1"	•	•	•		•
1 1/2"	•	•	•	•	•
2"	•	•	•	•	•
3"	•	•	•	•	•
4"	•	•	•	•	•
6"	•	•	•	•	•
8"	•	•	•	•	•
10"	•	•	•	•	•

*Other sizes available upon request.

ITEM	DESCRIPTIONS
1	BODY
2	END CAP
3	BALL
4	STEM
5	SEAT
6	FIRE SAFE GASKET
7	NUT
8	STUD
9	LIMIT STOP PLATE

ITEM	DESCRIPTIONS
10	BEARING
11	ANTI STATIC BALL
12	ANTI STATIC SPRING
13	FIRE SAFE PACKING
14	FIRE SAFE PACKING
15	BEARING
16	ALLEN HEAD BOLT
17	PACKING GLAND FLANGE
18	PACKING GLAND RING

ITEM	DESCRIPTIONS
19	LEVER RETAINING WASHER
20	HEX HEAD BOLT
21	SNAP RING
22	BODY SEAL O-RING
23	STEM SEAL O-RING
24	THRUST WASHER
25	LEVER
26	ALLEN HEAD BOLT
27	LOCKING PLATE

NOTE: Gear operator and lifting lugs supplied on sizes 6" and larger.
 Drawings are representative, please contact Meridian for specific and current PDF drawings.
 * Meridian™ limited warranty of 48 months from date of shipment or 24 months from the date of start-up.
 ** Other materials available upon request.